

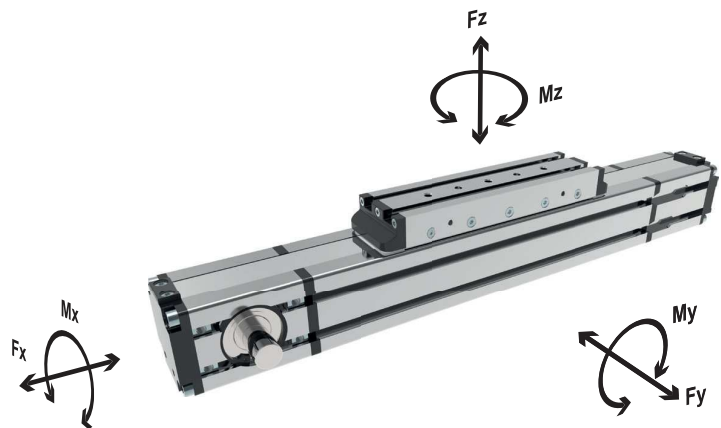
**Belt driven guided linear unit**

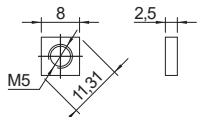
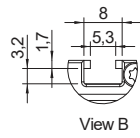
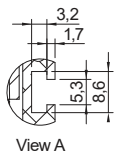
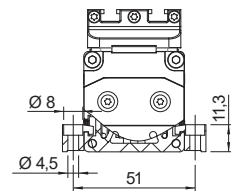
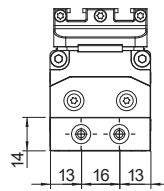
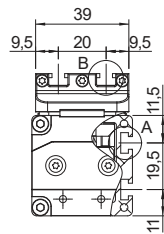
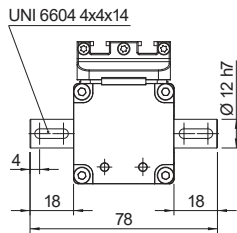
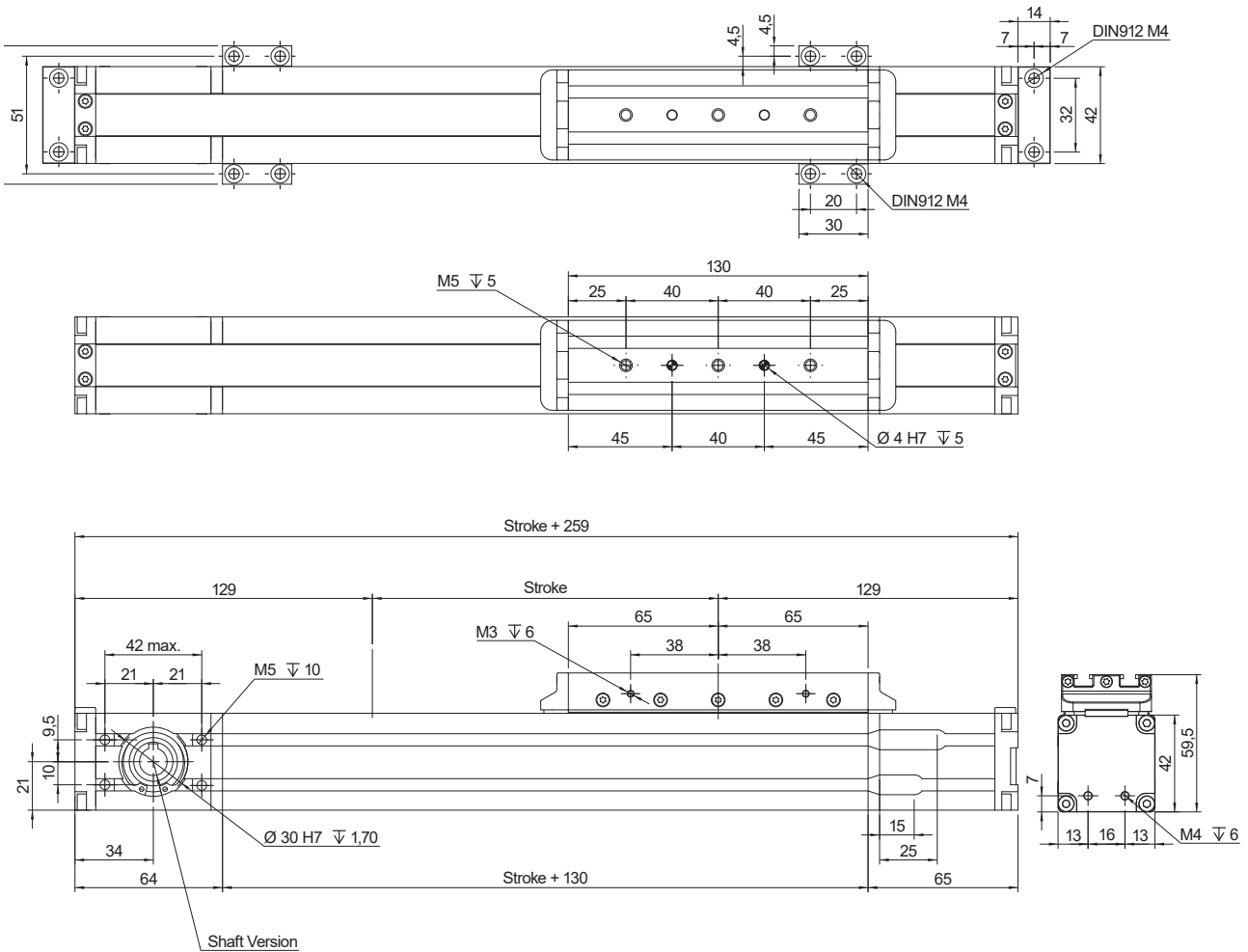
<b>TECHNICAL DATA</b>			
Size			42x42
Max. speed		m/s	3
Max. stroke length		mm	6700
Min. stroke length		mm	100
Pulley drive ratio		mm	90
Number of teeth of pulley			18
Teeth belt with Steel Reinforced Polyurethane ATL 5 profile clearance 0, width 12 mm			
Max rpm		rpm	2000
Base weight		Kg	1,6
Add for 100 mm of stroke		Kg	0,25
Max. load*	Fx	N	460
	Fy	N	1560
	Fz	N	1560
Moments*	Mx	Nm	20
	My	Nm	55
	Mz	Nm	55
Inertia moment Aluminum profile	Ix	cm4	11,8
Inertia moment Aluminum profile	Iy	cm4	14,2
Repeatability		mm	± 0,05
Max. radial load on input shaft		N	220
No load torque		Nm	0,3

\* Max values for dynamic conditions. Please refer to the following formula when combined loads are applied.

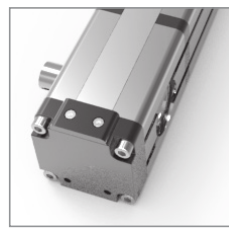
$$\frac{F_{yA}}{F_y} + \frac{F_{zA}}{F_z} + \frac{M_{xA}}{M_x} + \frac{M_{yA}}{M_y} + \frac{M_{zA}}{M_z} \leq 1$$

The A letters show the calculated value.

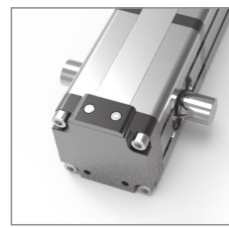




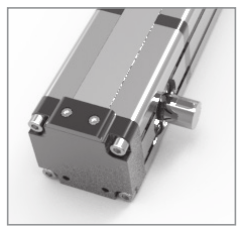
Partn.: DQM05-01



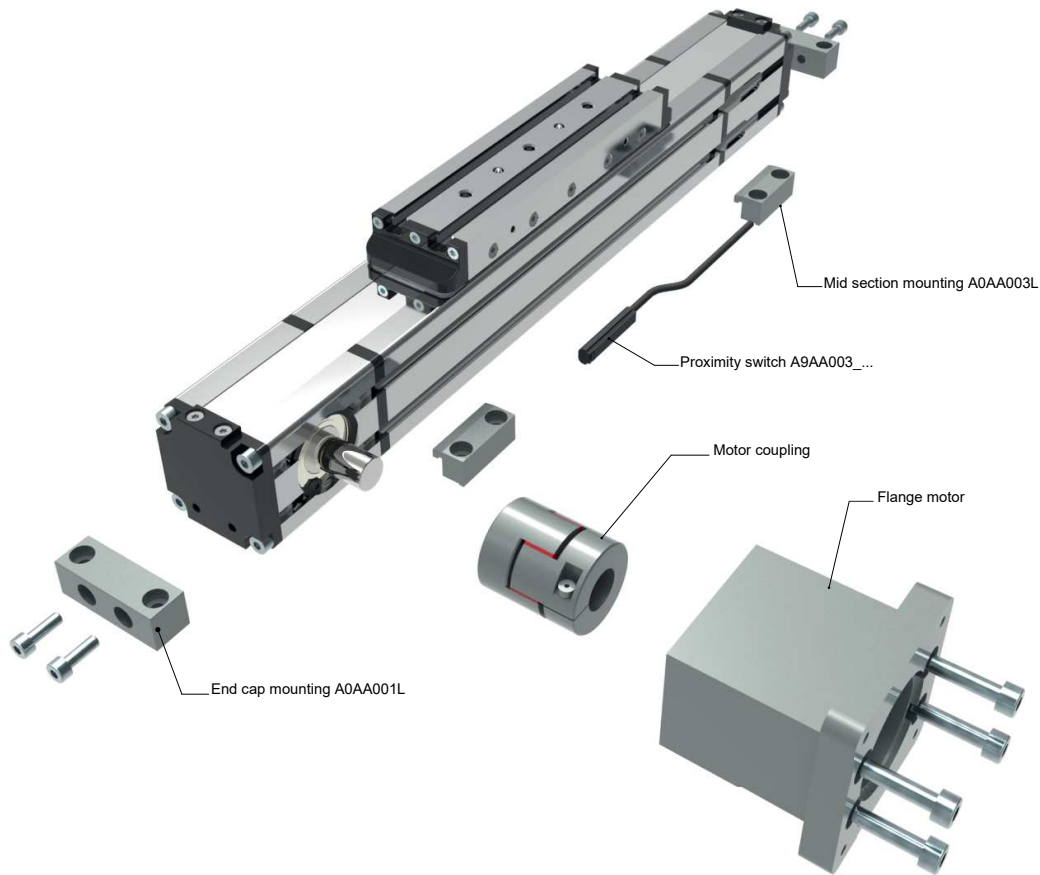
Left mount M2L



Dual mount D2



Right mount M2R



**ORDERING INFORMATION**

**1Proximity switch A9AA003\_...**

Part nr.	Cable	Output
A9AA003_01	with 2 mt cable	PNP
A9AA003_02	with 2 mt cable	NPN
A9AA003_03	200 mm with M8 plug in	PNP
A9AA003_04	200 mm with M8 plug in	NPN
A9AA003_NC	with 2 mt cable	NC

**HTB 42 - 0900 - F2**

**Series and size 42x42**

**Stroke mm**

**Shaft**

- F0: Female shaft Ø10 mm with keyshaft
- F2: Female shaft Ø12 mm with keyshaft
- M2L: Male shaft Ø12 mm mount left
- M2R: Male shaft Ø12 mm mount right
- D2: Double male shaft Ø12 mm