

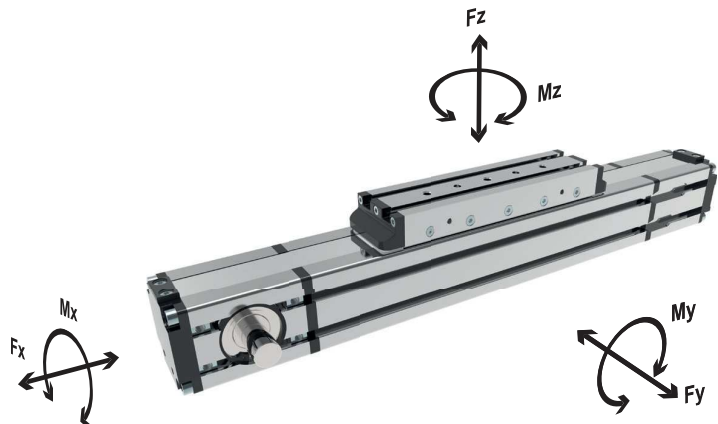
Belt driven guided linear unit

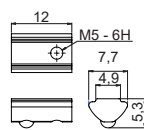
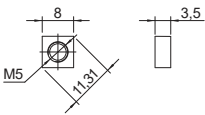
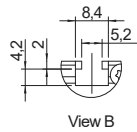
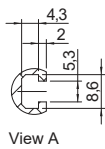
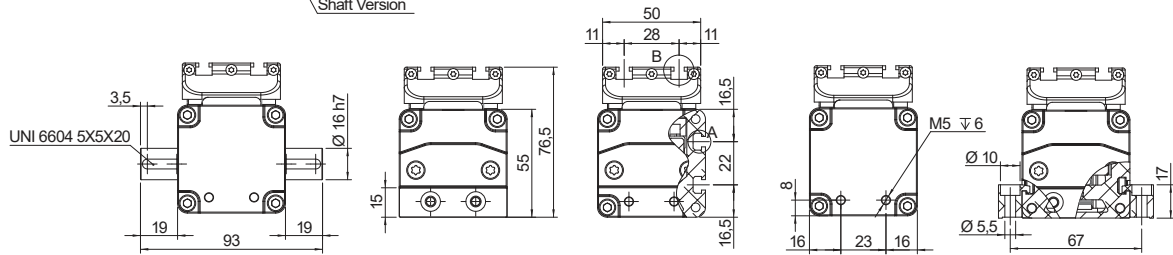
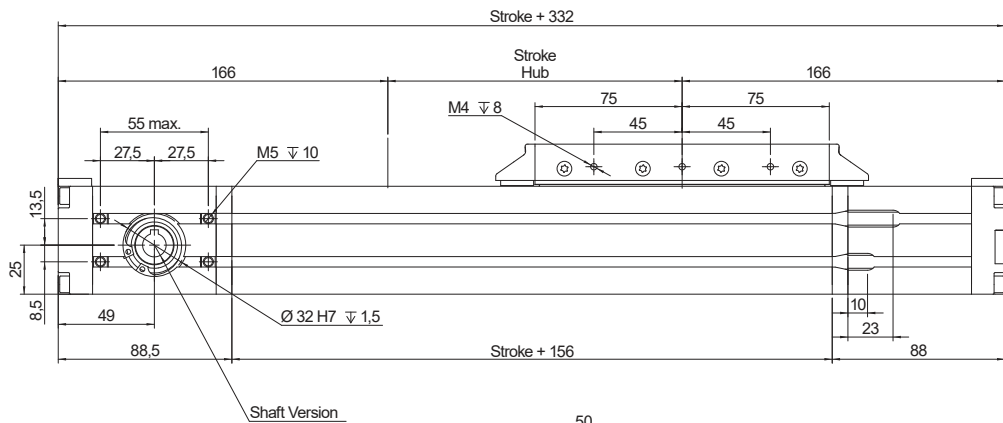
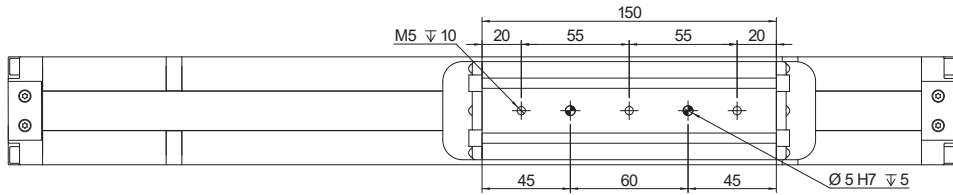
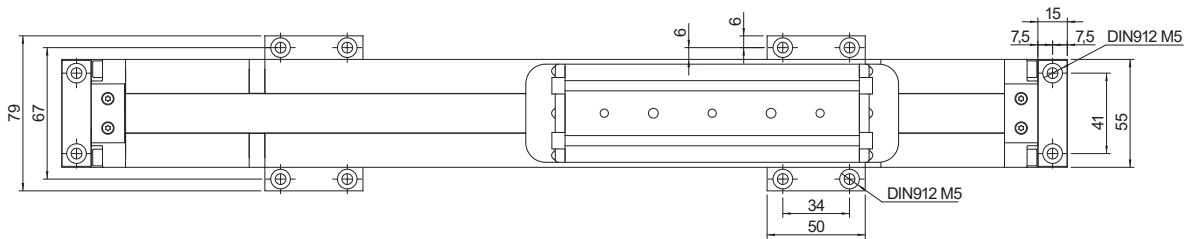
TECHNICAL DATA			
Size			55x55
Max. speed		m/s	3
Max. stroke length		mm	6700
Min. stroke length		mm	100
Pulley drive ratio		mm	120
Number of teeth of pulley			24
Teeth belt with Steel Reinforced Polyurethane ATL 5 profile clearance 0, width 16 mm			
Max rpm		rpm	1500
Base weight		Kg	3,3
Add for 100 mm of stroke		Kg	0,58
Max. load*	Fx	N	820
	Fy	N	1850
	Fz	N	1850
Moments*	Mx	Nm	25
	My	Nm	120
	Mz	Nm	120
Inertia moment Aluminum profile	Ix	cm4	36
Inertia moment Aluminum profile	Iy	cm4	45
Repeatability		mm	± 0,05
Max. radial load on input shaft		N	300
No load torque		Nm	>0,4

* Max values for dynamic conditions. Please refer to the following formula when combined loads are applied.

$$\frac{F_{yA}}{F_y} + \frac{F_{zA}}{F_z} + \frac{M_{xA}}{M_x} + \frac{M_{yA}}{M_y} + \frac{M_{zA}}{M_z} \leq 1$$

The A letters show the calculated value.





Part.n: DQM05

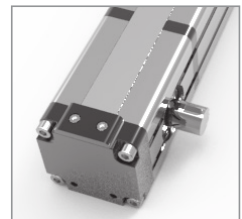
Part.n: DTM05-M5



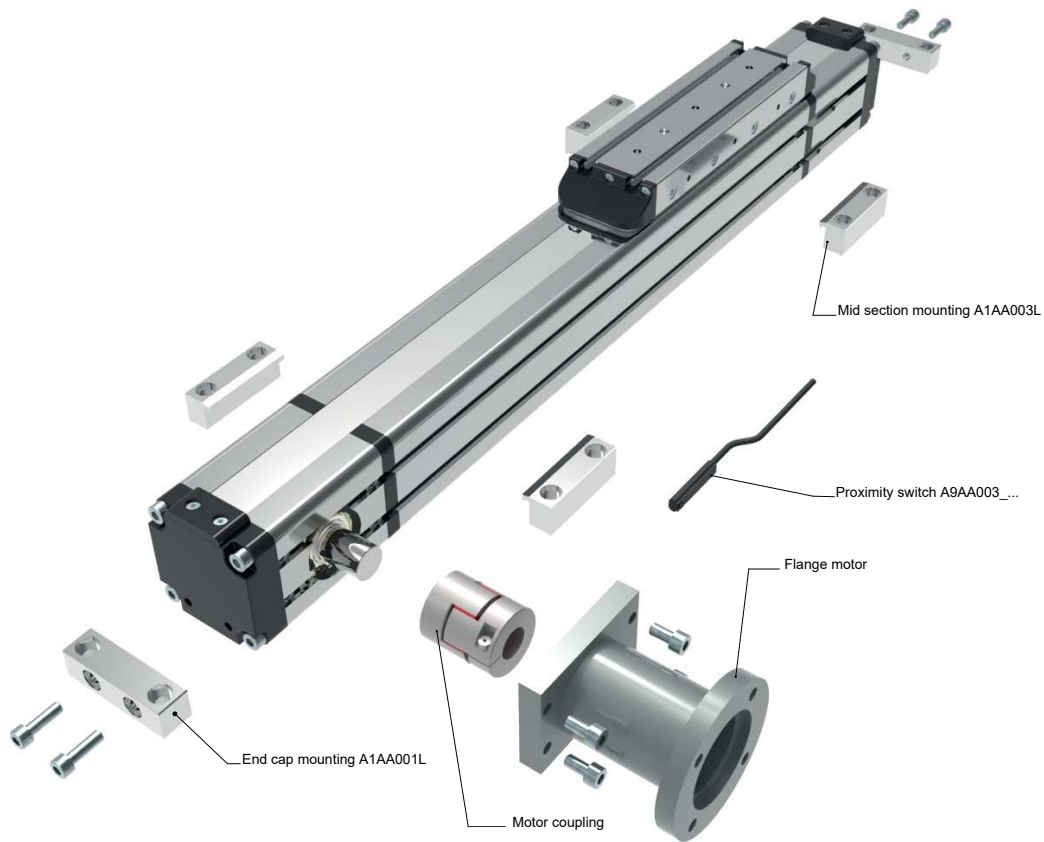
Left mount M6L



Dual mount D6



Right mount M6R



ORDERING INFORMATION

¹Proximity switch A9AA003_...

Part nr.	Cable	Output
A9AA003_01	with 2 mt cable	PNP
A9AA003_02	with 2 mt cable	NPN
A9AA003_03	200 mm with M8 plug in	PNP
A9AA003_04	200 mm with M8 plug in	NPN
A9AA003_NC	with 2 mt cable	NC

HTB 55 - 0900 - F2

Series and size 55x55 | **Stroke mm** | **Shaft**

- F2: Female shaft Ø12 mm with keyshaft
- F4: Female shaft Ø14 mm with keyshaft
- M6L: Male shaft Ø16 mm mount left
- M6R: Male shaft Ø16 mm mount right
- D6: Double male shaft Ø16 mm