

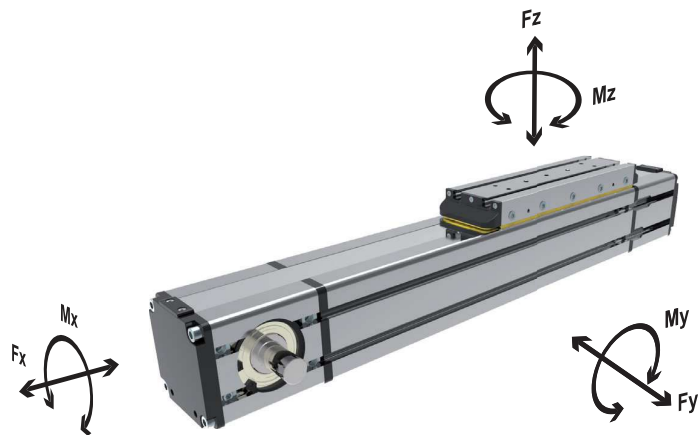
Belt driven guided linear unit

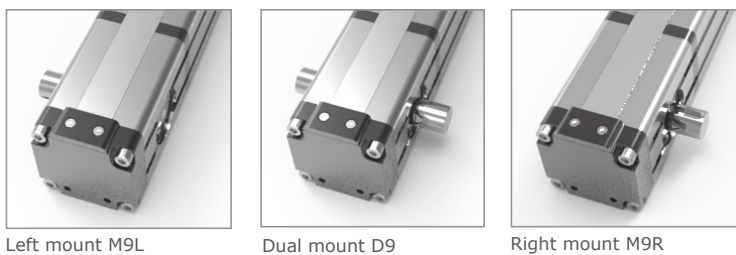
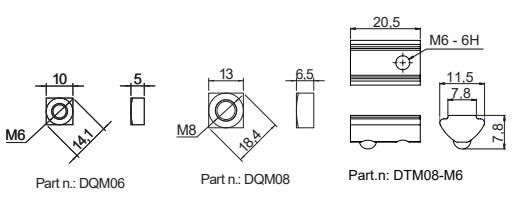
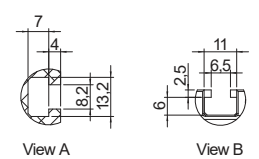
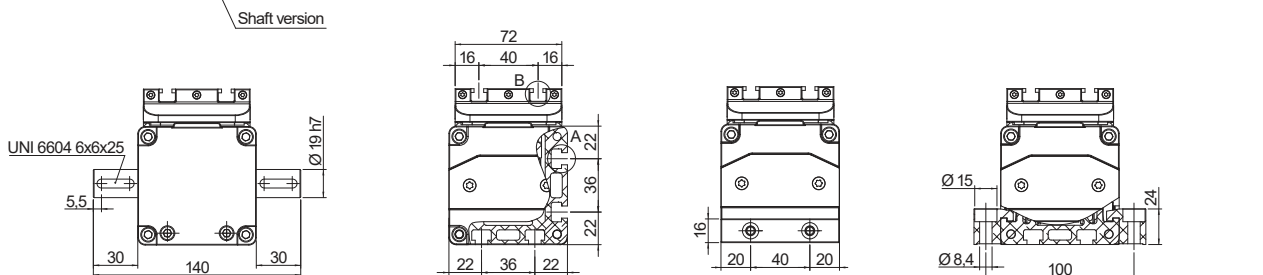
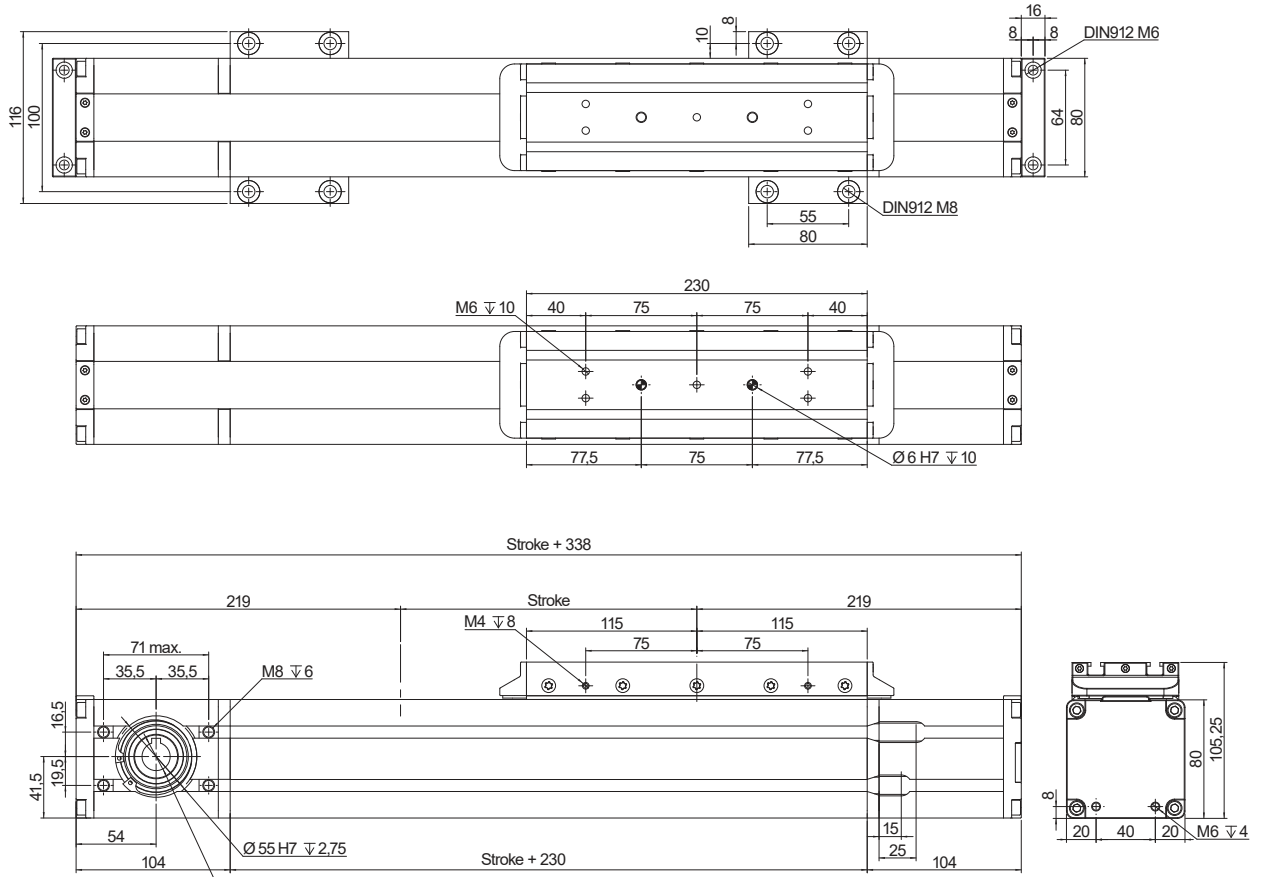
TECHNICAL DATA			
Size			80x80
Max. speed		m/s	3
Max. stroke length		mm	6700
Min. stroke length		mm	100
Pulley drive ratio		mm	160
Number of teeth of pulley			32
Teeth belt with Steel Reinforced Polyurethane ATL 5 profile clearance 0, width 25 mm			
Max rpm - Max.		rpm	1150
Base weight		Kg	6
Add for 100 mm of stroke		Kg	0,9
Max. load*	Fx	N	1650
	Fy	N	4500
	Fz	N	4500
Moments*	Mx	Nm	80
	My	Nm	450
	Mz	Nm	450
Inertia moment Aluminum profile	Ix	cm4	183
Inertia moment Aluminum profile	Iy	cm4	226
Repeatability		mm	± 0,05
Max. radial load on input shaft		N	300
No load torque		Nm	>0,5

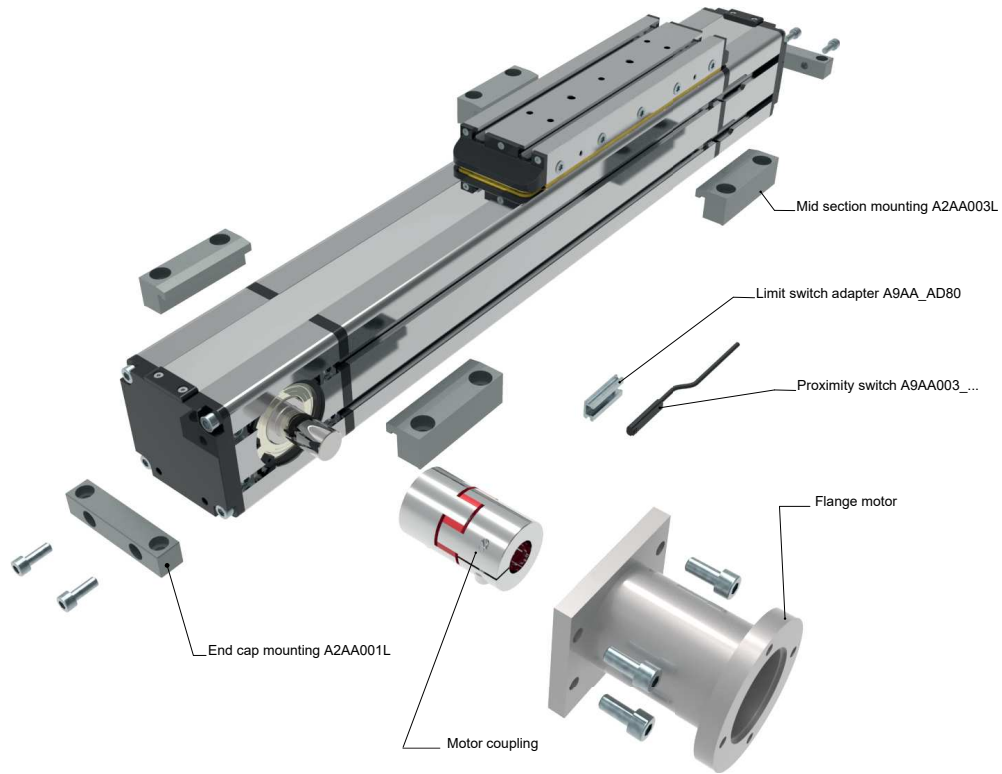
* Max values for dynamic conditions. Please refer to the following formula when combined loads are applied.

$$\frac{F_{yA}}{F_y} + \frac{F_{zA}}{F_z} + \frac{M_{xA}}{M_x} + \frac{M_{yA}}{M_y} + \frac{M_{zA}}{M_z} \leq 1$$

The A letters show the calculated value.







ORDERING INFORMATION

1Proximity switch A9AA003_...

Part nr.	Cable	Output
A9AA003_01	with 2 mt cable	PNP
A9AA003_02	with 2 mt cable	NPN
A9AA003_03	200 mm with M8 plug in	PNP
A9AA003_04	200 mm with M8 plug in	NPN
A9AA003_NC	with 2 mt cable	NC

MTB 80 - 0900 - F6 Shaft

Series and size 80x80

Stroke mm

- F6: Female shaft Ø16 mm with keyshaft
- F9: Female shaft Ø19 mm with keyshaft
- M9L: Male shaft Ø19 mm mount left
- M9R: Male shaft Ø19 mm mount right
- D9: Double male shaft Ø19 mm